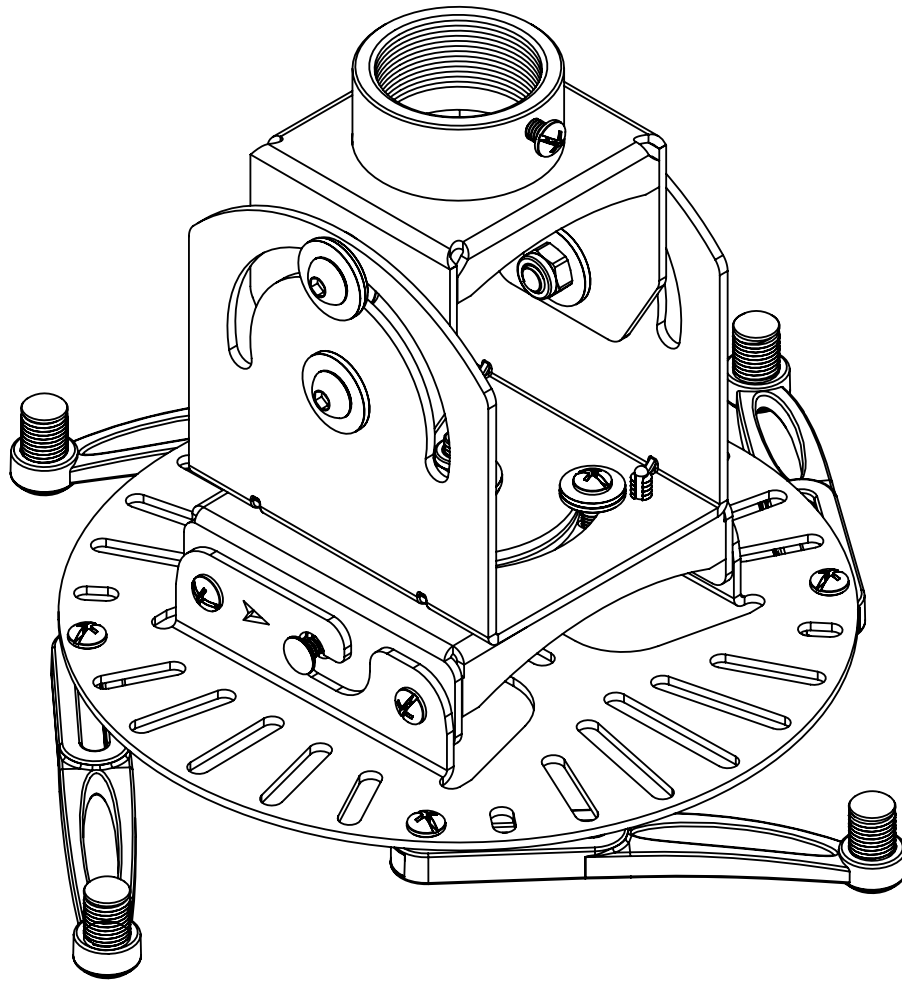


PDS-URPM

INSTALLATION GUIDE

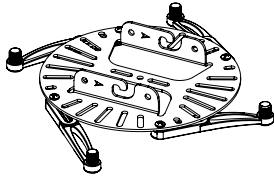
Universal Rotational Projector Mount



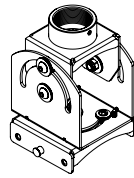
PDS-URPM

Installation Guide

INCLUDES:



Universal Leg Assembly
(Qty. 1)



Upper Ceiling Adapter
(Qty. 1)



M2.5 x 10mm Screw
(Qty. 4)



M2.5 x 12mm Screw
(Qty. 4)



M3 x 16mm Screw
(Qty. 4)



M4 x 12mm Screw
(Qty. 4)



M5 x 12mm Screw
(Qty. 4)



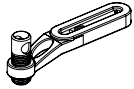
M6 x 12mm Screw
(Qty. 4)



1/4"-20 x 5/16" screw
(Qty. 1)



Barrel Cap
(Qty. 6)



Universal Short Leg
(Qty. 2)



Universal Allen Key
(Qty. 1)

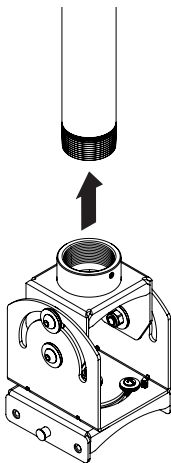


M8 External Tooth
Washer (Qty. 1)



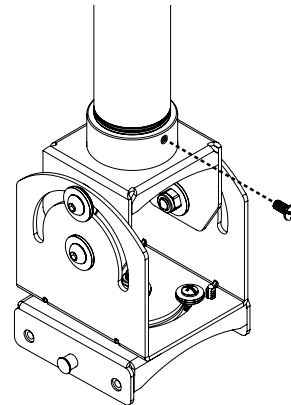
M3 Washer
(Qty. 10)

1



Once pipe has been properly secured to the ceiling structure, thread the upper ceiling adapter to the pipe.

2



Secure the upper ceiling adapter to the pipe using one (1) M6 x 12mm screw.

3

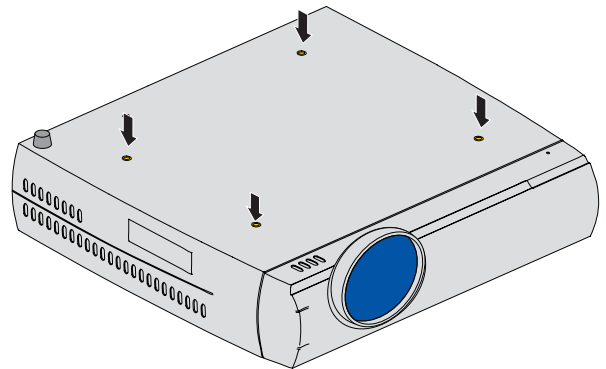
Multiple Mounting Point Installation

- 1) Locate the projector's mounting points.
- 2) Position an appropriate number of mounting legs on the projector.

The four long mounting legs come pre-installed, but you can use three (3) or four (4) long mounting legs and/or short mounting legs, depending on what the projector requires.



The number and placement of mounting points on projectors varies between projector manufacturers. Refer to your projector's technical specifications for the number and location of the mounting points on your specific projector.



4

Determine if your projection image will project upwards or downwards to properly install the projector mount.



Only attach to the projector manufacturer's specified mounting points on the projector chassis with a minimum three mounting legs. Please follow all safety instructions specified by the projector manufacturer as well as the safety instructions outlined in this manual.

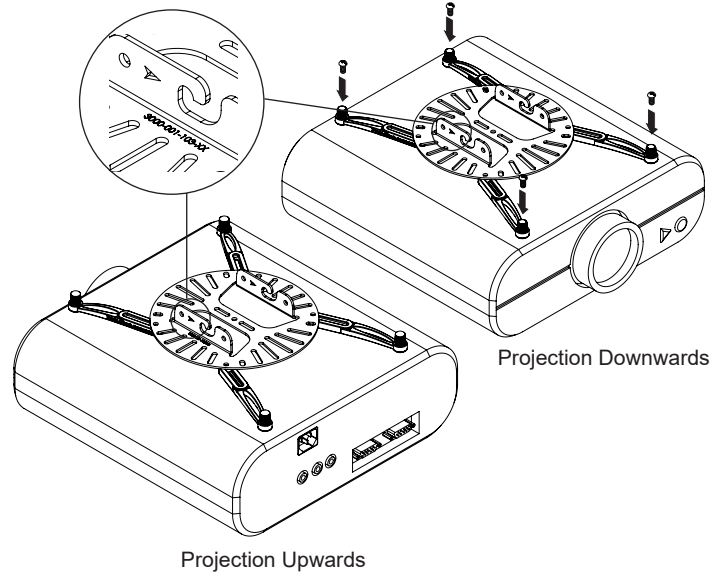


Depending on your application, the long mounting legs and the short mounting legs may be used together. There are multiple configurations that may be used combining the long mounting legs with the short mounting legs.

- 1) Attach the appropriate number of mounting legs to the projector using the corresponding mounting hardware.



Do not tighten the mounting hardware at this time.



5

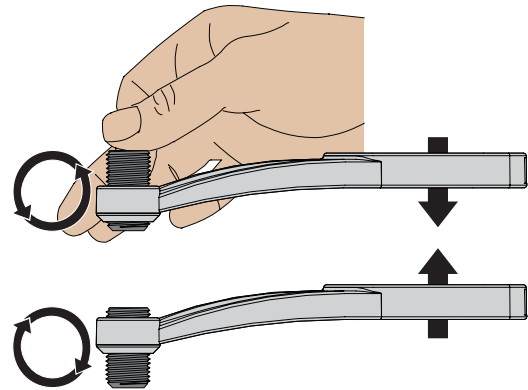
- 1) If the mounting legs need to be leveled, rotate the leveling barrels to level the mounting bracket.
- 2) To raise the mounting legs, rotate the leveling barrel clock-wise. To lower the mounting leg, rotate the leveling barrel counter clock-wise.



Raise or lower each of the mounting legs, by rotating the leveling barrels, until all of the mounting legs are at an equal height.

- Lower the mounting leg by rotating the leveling barrel counter-clockwise.
- Raise the mounting legs by rotating the leveling barrel clockwise.

- 3) When the desired position is achieved, tighten the mounting screws to the projector.



Pro Tip



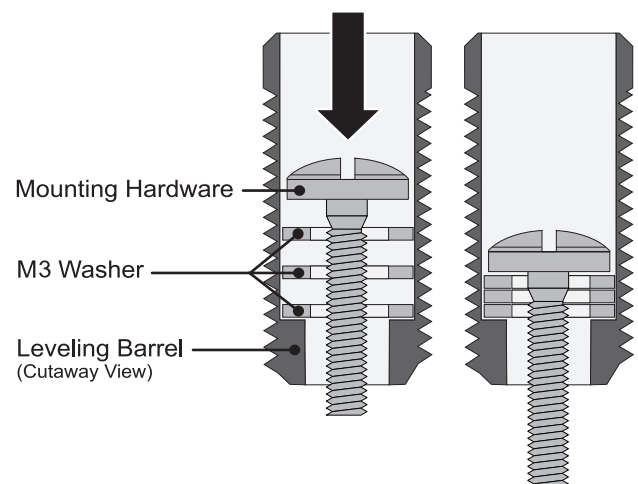
Mounting Hardware Too Long?

The depth of some projector mount points may prevent you from tightening the M2.5 and M3 mounting hardware.

You can reduce the length of the M2.5 and M3 mounting hardware by stacking up to a maximum of five (5) M3 flat washers inside the leveling barrel.



Avoid stacking too many M3 washers; the mounting hardware must thread into the projector mount point at least four (4) complete turns.

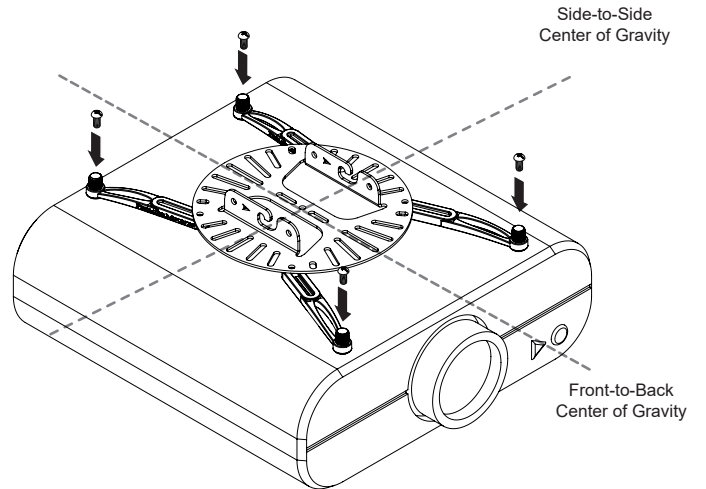


PDS-URPM

Installation Guide

6

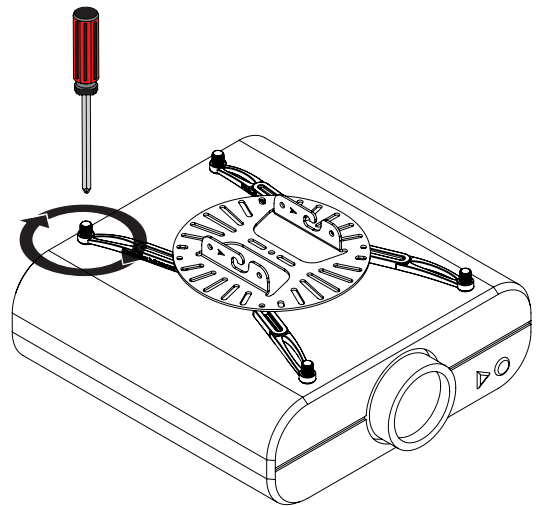
- 1) Identify the projector's approximate front-to-back center of gravity. Place your hands on each side of the projector and gently lift it an inch from the surface on which it is resting. Carefully adjust your grip on the projector until it seems balanced from front-to-back. Mentally note the apparent center of gravity.
- 2) Identify the projector's approximate side-to-side center of gravity. Place your hands on the front and back of the projector and gently lift it an inch from the surface on which it is resting. Carefully adjust your grip on the projector until it seems balanced from side-to-side. Mentally note the apparent center of gravity.



7

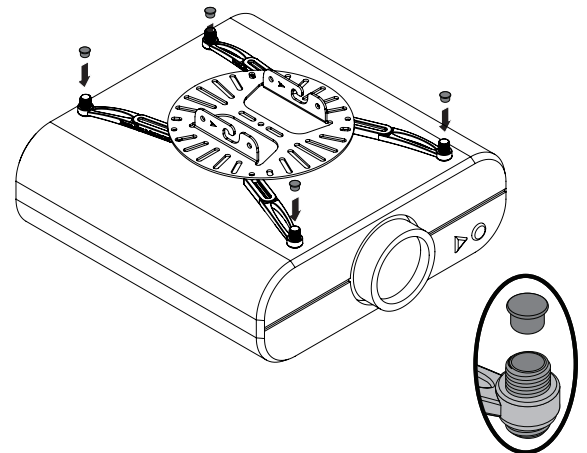
Tighten the mounting screws which secure the mounting legs to the projector.

Do not over tighten the mounting screws.



8

Insert one (1) Barrel Cap into the end of each leveling barrel



9

Single Mount Point Installation

If your projector has only one mounting point, a 1/4-20 x 5/16" screw must be used to attach the mount to the projector. Please refer to the following three steps:

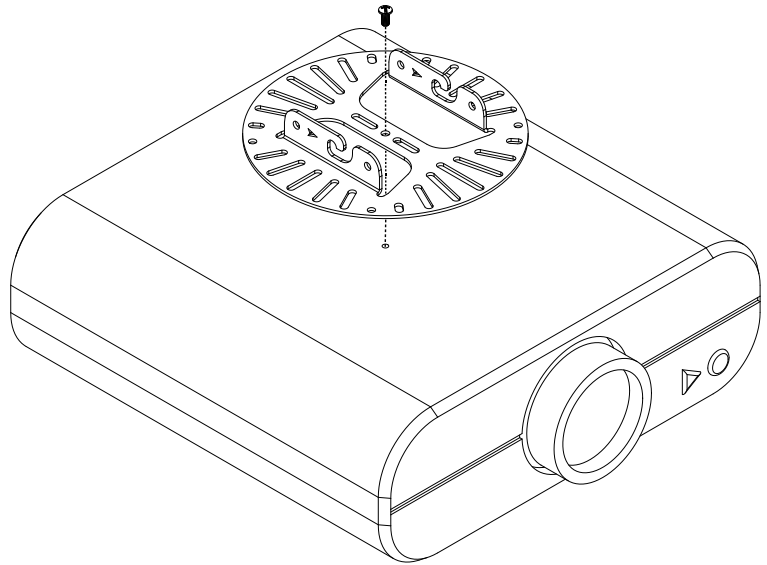
- 1) Determine where the mounting point is located.
- 2) Place the projector plate over the mounting point.
- 3) Insert the 1/4-20 x 5/16" security screw.



Do not over tighten the 1/4-20 x 5/16" screw.

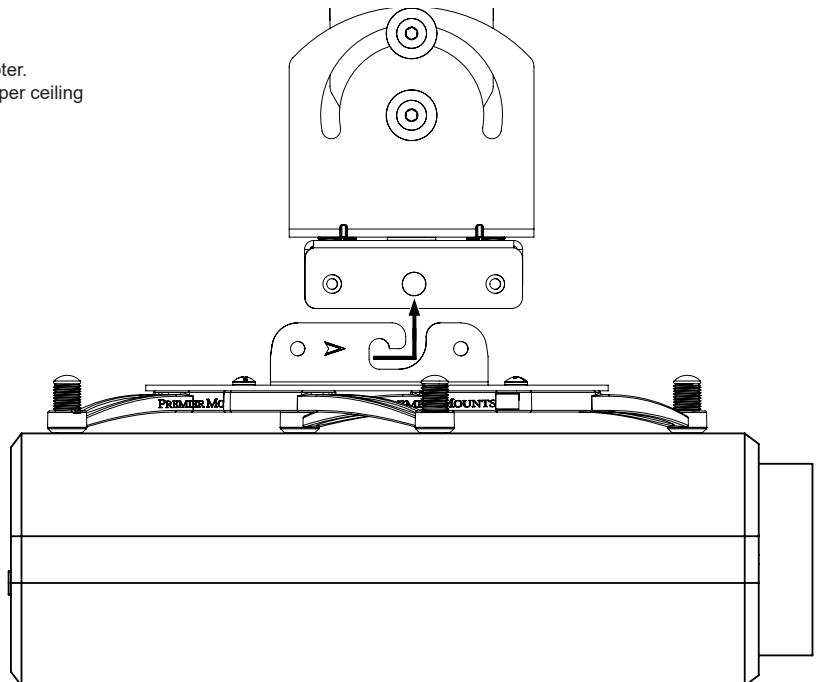


Only use with projectors that have (1) 1/4-20 mounting point and less than 10 lbs.



10

Hook the universal leg assembly to the upper ceiling adapter. Make sure the universal leg assembly is resting on the upper ceiling adapter before letting go of the projector.



PDS-URPM

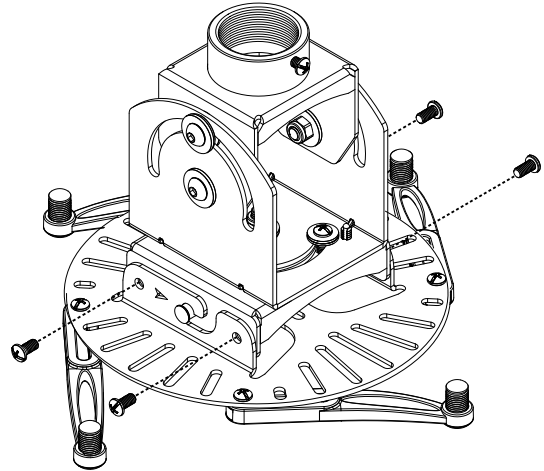
Installation Guide

11

Secure the universal leg assembly to the upper ceiling adapter using four (4) M6 x 12mm screws.

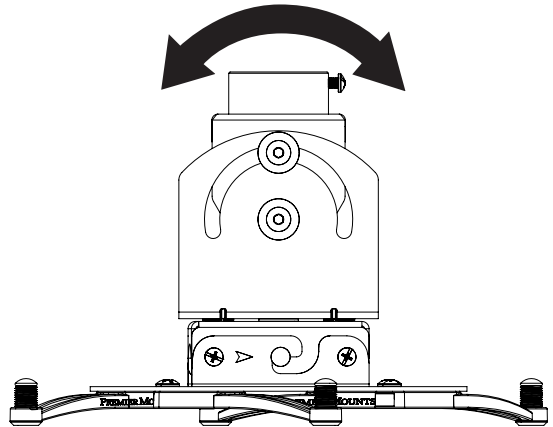
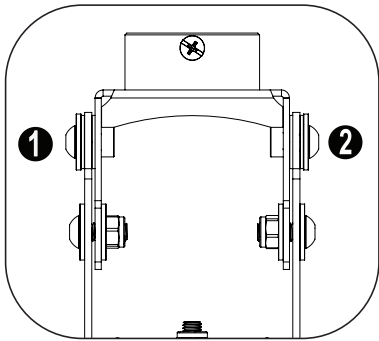


Caution: The four (4) M6 x 12mm screws **MUST** be installed before adjusting or rotating the mount.



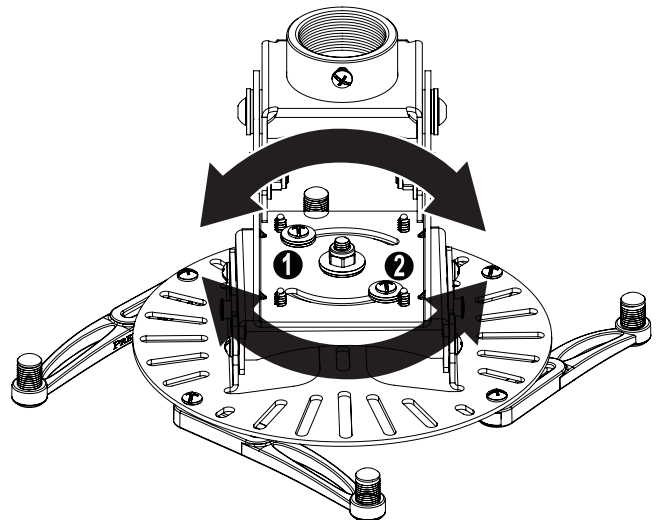
12

You can adjust the angle of the projector by loosening the upper two (2) Button Head Screws using the supplied M5 Allen Key.



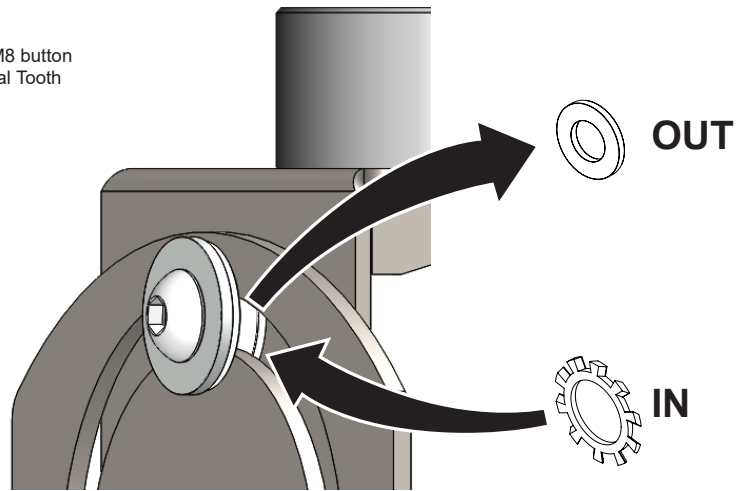
13

You can rotate the projector by loosening the two screws.



14

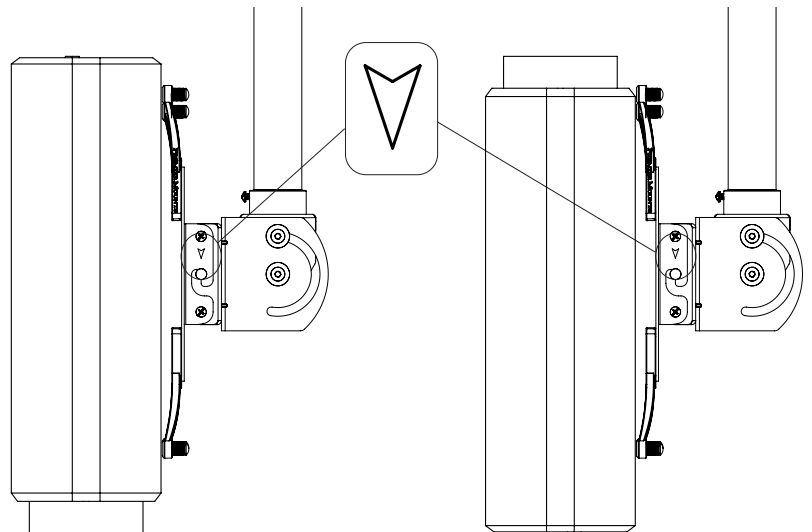
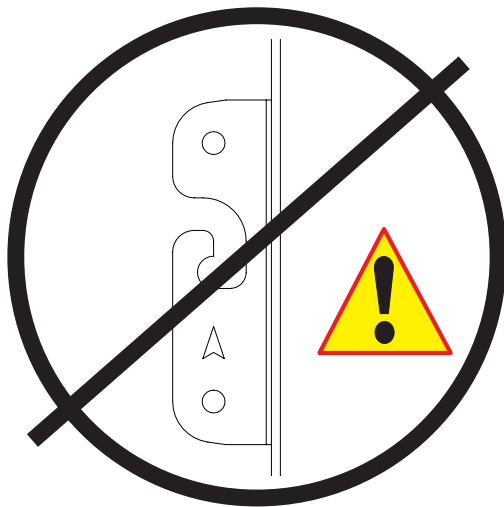
If the projector does not maintain angle after tightening the two (2) M8 button head screws, replace the nylon washer with the supplied M8 External Tooth Washer. The nylon washer is located in between the ceiling adapter



15



Caution: Arrow must be facing towards the floor when detaching the protector from the upper ceiling adapter.



Do not remove the four (4) M6 x 12mm screws when the arrow is facing up.

PREMIER MOUNTS LIMITED LIFETIME WARRANTY

What and Who is Covered by this Limited Lifetime Warranty

Premier Mounts warrants all mounting products to be free from defects in material and workmanship for the lifetime of the original installation of the product.

What Premier Mounts Will Do

At the sole option of Premier Mounts, Premier Mounts will repair or replace any product or product part that is defective. If Premier Mounts chooses to replace a defective product or part, a replacement product or part will be shipped to you at no charge, but you must pay any related labor costs.

What is Not Covered: Limitations

Premier Mounts disclaims any liability for damage to mounts, adapters, displays, projectors, other property, or personal injury resulting, in whole or in part, from improper installation, modification, use or misuse of its products.

NOTWITHSTANDING ANYTHING TO THE CONTRARY IN THIS WARRANTY, THIS WARRANTY IS LIMITED TO FIVE YEARS FROM THE DATE OF PURCHASE IN THE EVENT THAT THE WARRANTED PRODUCT IS COMMERCIALY RENTED OUT.

Electrical products and components, such as amplifiers, speakers, motors, switches remote controls and related electrical items, are backed by a 3-year warranty.

Premier Mounts disclaims all other warranties, express or implied, including warranties of merchantability and fitness for a particular purpose. Premier Mounts is not responsible for incidental or consequential damages, including but not limited to, inability to use its products or labor costs for removing and replacing defective products or parts. Some states do not allow the exclusion or limitation of incidental or consequential damages, so the above limitation or exclusion may not apply to you.

What Customers Must Do for Warranty Service

If you discover a problem that you think may be covered by the warranty, you must report it in writing to the address below within thirty (30) days. Proof of purchase (an original sales receipt) from the original consumer purchaser must accompany all warranty claims. Warranty claims must also include a description of the problem, the purchaser's name, address, and telephone number. General inquiries can be addressed to Premier Mounts Customer Service at 1-800-368-9700. Warranty claims will not be accepted over the phone or by fax.

Premier Mounts
Attn: Warranty Claim
2620 Palisades Drive
Corona, CA 92882 USA

How State Law Applies

This warranty gives you specific legal rights, and you may also have other rights which vary from state to state.

Premier Mounts intends to make this manual accurate and complete. However, Premier Mounts makes no claim that the information contained herein covers all details, conditions or variations, nor does it provide for every possible contingency in connection with the installation or use of this product. The information contained in this document is subject to change without notice or obligation of any kind. Premier Mounts makes no representation of warranty, expressed or implied, regarding the information contained herein. Premier Mounts assumes no responsibility for accuracy, completeness or sufficiency of the information contained in this document.

Warranty: <http://www.mounts.com/warranty>

